

The following page(s) are extracted from multi-page product catalogues or CDROMs and any page number shown is relevant to the original document. The PDF sheets here may have been combined to provide technical information about the specific product(s) you have selected.

### Contact Details

The Encoder Company  
H. Kuhnke Ltd  
Unit 21, Abbey Enterprise Centre  
Premier Way  
Romsey  
Hants.  
SO51 9AQ  
UK

T: +44 (0)1794 514445  
F: +44 (0)1794 513514  
Email: [sales@theencodercompany.co.uk](mailto:sales@theencodercompany.co.uk)

### Important Note

The information shown in these documents is for guidance only. No liability is accepted for any errors or omissions. The designer or user is solely responsible for the safe and proper application of the parts, assemblies or equipment described.

---

# Incremental Shaft Encoders Type PC 9/PC 9S

## Economy Types

## Panelcoders™



- Provides digital control inputs from operators's panel
- Bidirectional squarewave signal outputs
- Up to 512 increments
- Continuous and reversible rotation
- Non-contacting
- Operating temperature -40 ... 100 °C

### NUMBER OF PULSES

100 ... 512

### TECHNICAL DATA mechanical

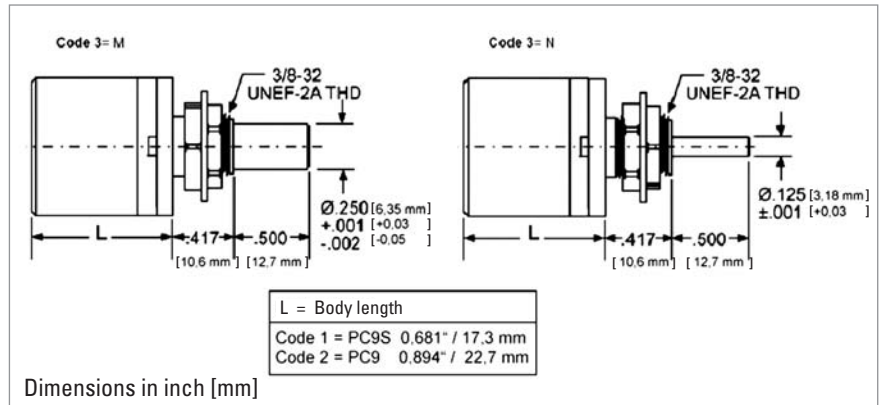
Shaft load	1/8" Shaft: 4 N axial, 27 N radial 1/4" Shaft: 4 N axial, 4 N radial
Moment of inertia	0.20 gcm <sup>2</sup>
Operating temperature	-40 ... +100 °C
Storage temperature	-50 ... +125 °C
Relative humidity	90 %, non-condensing
Connection	PC9: 10 pole header PC9S: 5 pole header
Recommended mating connectors	PC9: Thomas & Betts, part number 622-1030 (on request) PC9S: AMP, part number 103675-4 (on request)

### TECHNICAL DATA electrical

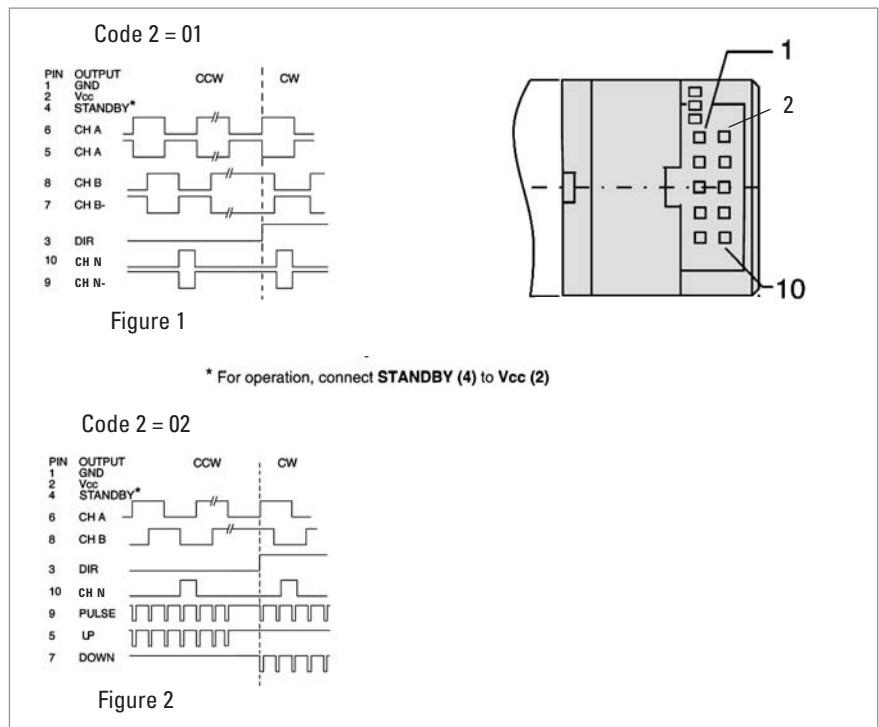
Code	Incremental, optical
Phasing	90° ±18° electrical
Symmetry	180° ±18° electrical
Index pulse width	90° ±36° electrical
Supply voltage	DC 5 V ±10 %
Supply current	10 mA, typical
Standby current	max. 50 µA (PC9 only)
Output signals	min. 2.5 V high (V <sub>OH</sub> ) max. 0.5 V low (V <sub>OL</sub> )
Output current	PC9: 3 mA sink/source (25 °C), 2 mA (100 °C) PC9S: 6 mA sink/source (25 °C), 4 mA (100 °C)
Max. output frequency	200 kHz

# Incremental Shaft Encoders Type PC 9/PC 9S Economy Types Panelcoders™

## DIMENSIONAL DRAWINGS



## OUTPUT WAVEFORMS CONNECTIONS PC9



## ACCESSORIES PC9

	ordering code
10 pole header, 30 cm ribbon cable with connector	CA 0 040 012

## ORDERING INFORMATION PC9

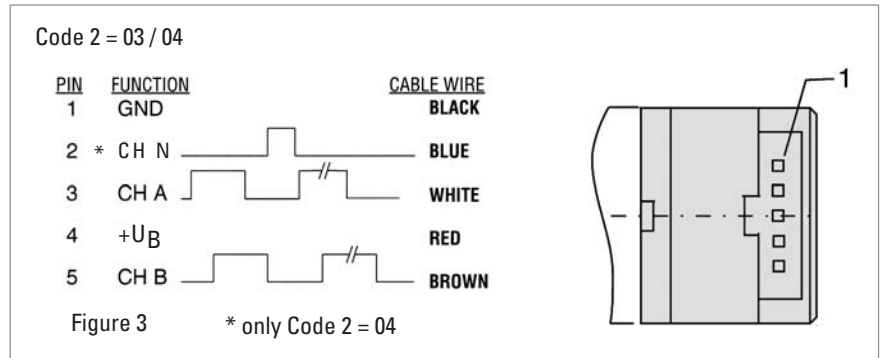
Type	Number of pulses	Code 2: Output	Mounting
<input type="checkbox"/>	<input type="checkbox"/>	<input type="checkbox"/>	<input type="checkbox"/>
PC9	0100	01 see figure 1	M 1/4" Shaft, sleeve bearing
	0144	02 see figure 2	N 1/8" Shaft, ball bearings
	0200		
	0256		
	0300		
	0360		
	0500		
0512			

# Incremental Shaft Encoders Type PC 9/PC 9S

## Economy Types

## Panelcoders™

### OUTPUT WAVEFORMS □ CONNECTIONS PC9S



### ACCESSORIES PC9S

5 pole header, 30 cm cable with connector	ordering code CA 0 050 012
---	-------------------------------

### ORDERING INFORMATION PC9S

Type	Number of pulses	Code 2: Output	Mounting
□	□	□	□
<b>PC9S</b>	<b>0 100</b> <b>0 144</b> <b>0 200</b> <b>0 256</b> <b>0 300</b> <b>0 360</b> <b>0 500</b> <b>0 512</b>	<b>03</b> see figure 3 (no index) <b>04</b> see figure 3	<b>M</b> 1/4" Shaft, sleeve bearing <b>N</b> 1/8" Shaft, ball bearings